



RFID ČITAČ – SAMOSTALAN

PART No: KA12

NIŽE, U ORIGINALU

Standalone Access Control with WG26 or WG34

Card type: EM & MF Card

Capacity: 2000 users

Working Voltage: DC12-24V

Card Reading Distance: 1~3cm

Dimension: 114x75x16mm



Features:

Ultra-low Power	Standby current is less than 30mA
Wiegand Interface	WG26 or WG34 input and output
Searching time	Less than 0.1s after reading card
Backlight keypad	Operate easily at night
Doorbell interface	Support external wired doorbell
Access ways	Card, Pin code, Card & Pin code
Independent codes	Use codes without related card
Change codes	Users can change codes by themselves
Delete users by card No.	The lost card can be deleted by keyboard

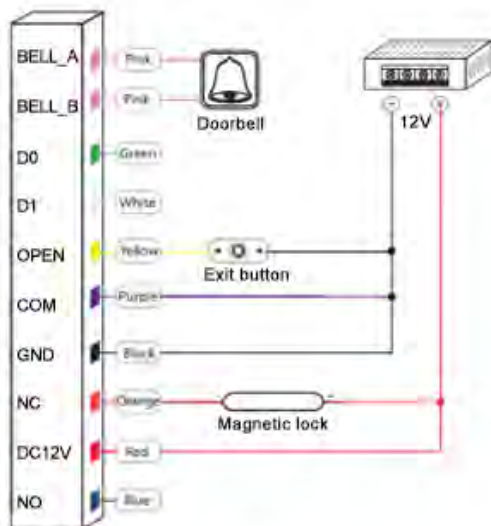


+381 11 355 7599
+381 63 598 017
office@aspekt.rs

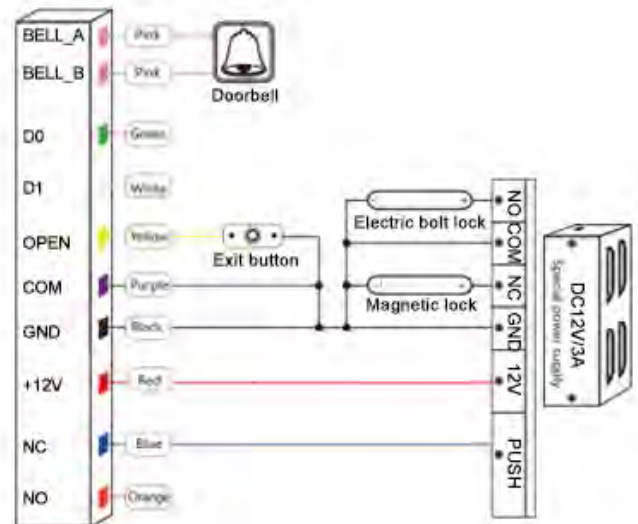
Specifications:

Working Voltage	DC12-24V
Capacity	2000 users
Card Reading Distance	1~3cm
Standby Current	≤30mA
Door Relay time	0~99S(Adjustable)
Working Temperature	-40°C~60°C
Working Humidity	10%~90%
Dimension	114x75x16mm

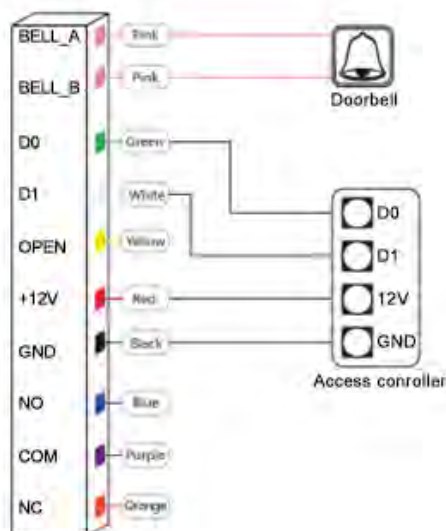
Common Power Supply:



Special Power Supply:



Reader Mode:



+381 11 355 7599
+381 63 598 017
office@aspekt.rs



+381 11 355 7599
+381 63 598 017
office@aspekt.rs