

# TROKRAKA ROTACIONA PREPREKA

ŠIFRA PROIZVODA: **DAS112** sa PADAJUĆOM ("drop arm") funkcijom poluge

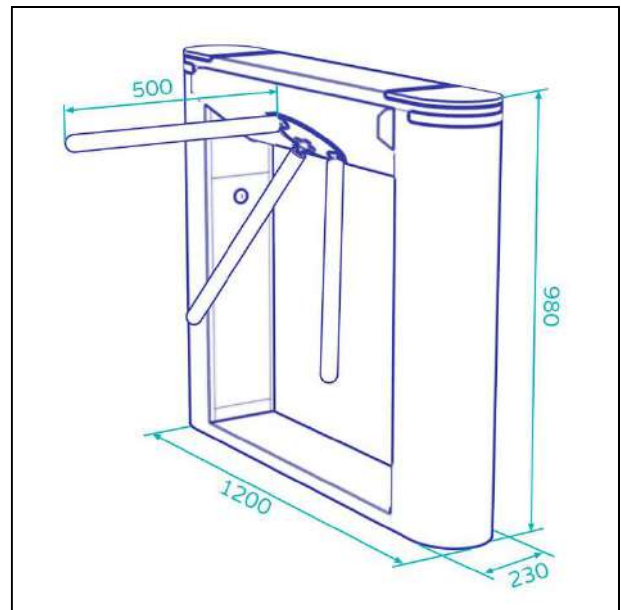
## NIŽE U ORIGINALU:

### Features of Tripod Turnstile

- Long-life performance, high operation dependability and fast response
- The whole system runs smoothly, low noise, no mechanical impact
- Single directional or Bi-directional is selectable
- Automatic reset function: turnstile arm will lock automatically within 5s (can be setting) if passenger delay to entry
- Anti-tailing function: only one person passes at one time
- When power is off, arms will open automatically, which is complying with fire safety requirements
- LED indicator (red × means no entry; green → means entry)
- Easy to install and maintain
- 3-year warranty support

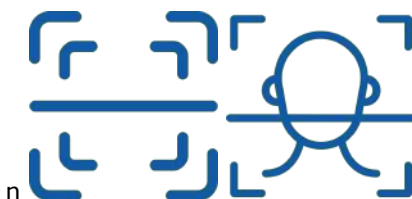
### Product Details and Dimensions

All the details and dimensions can be customized according to your project site



### Integrate Any Access Controllers

Model DAS-Q50 can be integrated with any 3rd access control systems, like card, QR/bar code, biometric, button, remote control, palm vein and so on.



+381 11 355 7599  
+381 63 598 017  
office@aspekt.rs

**Product Parameters**

Model No.	DAS112
Framework Material	304 Full Stainless Steel
Dimension	1200 * 230 * 980mm
Weight	50kg/pcs
Passage Width	550mm (Arm length: 500mm)
Passing Direction	Single directional / Bi-directional
<b>MCBF</b>	<b>5 million</b>
Power Supply	AC220V/110V, 50/60Hz
Operation Voltage	24V DC
Power Consumption	40W
Operation Temperature	-20 °C - 75 °C
Operation Humidity	0 ~ 95% (No freeze)
<b>Working Environment</b>	<b>Indoor / Outdoor</b>
Flow Rate	35-40 people per minute
LED Indicator	Yes
Emergency	Automatic arm open when power off
Communication	Dry contact, Relay signal, RS485

**KRAJ**

+381 11 355 7599  
+381 63 598 017  
office@aspekt.rs