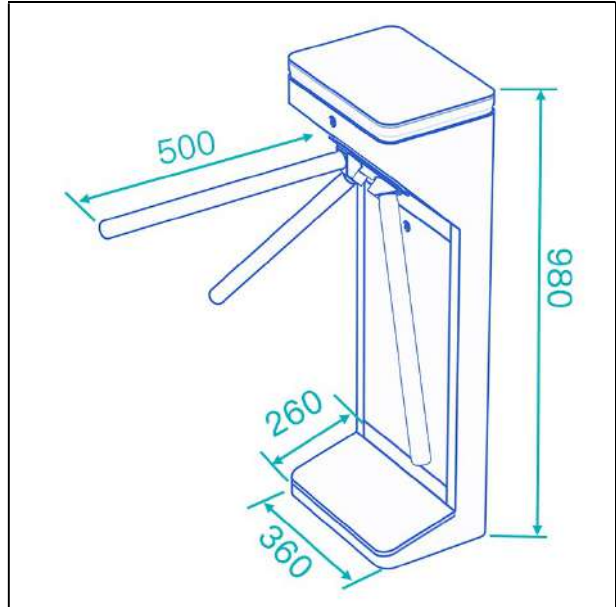


TROKRAKA ROTACIONA PREPREKA - STUB

ŠIFRA PROIZVODA: **DASN-50**

NIŽE U ORIGINALU

Features of Daosafe Tripod Turnstile

- Long-life performance, high operation dependability and fast response
- The whole system runs smoothly, low noise, no mechanical impact
- Single directional or bi-directional is selectable
- Automatic reset function: swing arms will lock automatically within 5s (can be setting) if passenger delay to entry
- When power is off, arms will drop down automatically, which is complying with fire safety requirements
- LED indicator (red means no entry; green means entry; blue means normal close)
- Infrared sensor alarm function, in case of illegal intrusion and reverse intrusion
- Only one person can pass at one time, to prevent the illegal following
- Easy to install and maintain
- 3-year warranty support

Top Panel Customized

The top panel is available in different solutions according to requirements, like card, qr code, fingerprint, facial device...



+381 11 355 7599
+381 63 598 017
office@aspekt.rs

Product Parameters

Model No.	DASN-50
Framework Material	304 brushed stainless steel+ High end black tempered film glass
Swipe Card Panel Material	Tempered glass
Arm Material	304 Stainless Steel with rubber protector
Dimension	360 *260 * 980mm
Weight	35kg/pcs
Passage Width	550mm (Arm length: 500mm)
Passing Direction	Single directional / Bi-directional
MCBF	10 million
Power Supply	AC220V/110V, 50/60Hz
Operation Voltage	24V DC
Power Consumption	20W
Operation Temperature	-20 °C - 75 °C
Operation Humidity	0 ~ 95% (No freeze)
Working Environment	Indoor / Outdoor
Flow Rate	35 people per minute
LED Indicator	Unique blue LED strip (front+ top+side)
Emergency	Arms will drop down automatically
Communication	Dry contact, Relay signal, RS485



High End Tempered Glass

At the top, it's covered by a high black tempered glass, show up an attractive and impressive character.

Weld Robot & Mold Production

Superior production: combine mold production to ensure the high quality guaranteed. Welding: adopt robot for weld to improve the high technological level.

LED Indicator

The full stainless-steel body is surrounded with dazzling decorative LED light bar which bring out an aesthetic and distinctive sense. Three colors LED Indicator interface: blue for power on, green for valid card access, red for invalid card access.


 +381 11 355 7599
 +381 63 598 017
 office@aspekt.rs

KRAJ