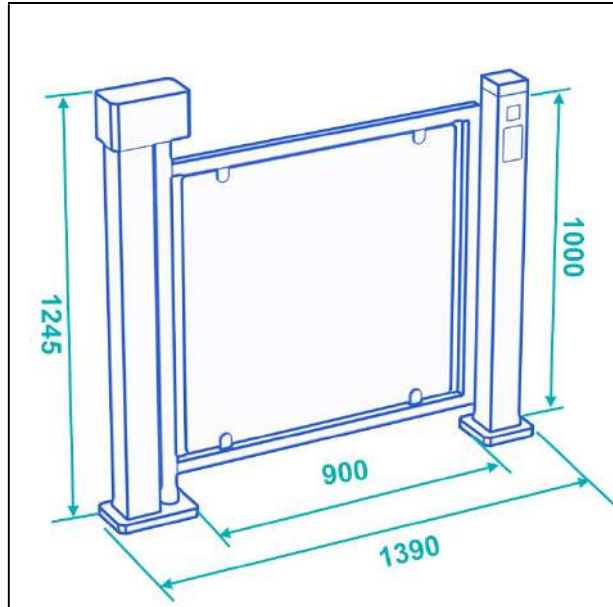


# SIGURNOSNA PEŠAČKA KAPIJA

ŠIFRA PROIZVODA: DASSP6003C

Namenjena kontroli pristupa pešaka u ind. komplekse, private rezidencije itd.



## NIŽE U ORIGINALU

### Features of Pedestrian Security Gate

- Whole product is in full industrialized design, produced for high/low temperature, and dusty hazardous environment
- It has various design for optional
- The pedestrian length and height of pedestrian gate is can be customized
- The system is mainly design to enclose open space or for handicapped passing
- It is suitable for both indoor and outdoor applications
- Easy to install and maintain
- 3-year warranty support

### Product Parameters

Model No.	DASSP6003C
Type	Motor with clutch
Framework Material	304 Full Stainless Steel + Plexiglas Arm
Direction of Door Open	Two ways
Dimension	1390 * 120* 1245(mm)
Passage Width	900mm
Weight	35kg/pcs
MCBF	10 million
Power Supply	AC220V/110V, 50/60Hz
Operation Voltage	24V DC
Power Consumption	20W

  
+381 11 355 7599  
+381 63 598 017  
office@aspekt.rs

Operation Temperature	-15 °C - 60 °C
Operation Humidity	0 ~ 95% (No freeze)
<b>Working Environment</b>	<b>Indoor / Outdoor</b>
Emergency	Automatically open when power off or fire alarm
LED Indicator	green → entry, red × no entry

**KRAJ**

+381 11 355 7599  
+381 63 598 017  
office@aspekt.rs