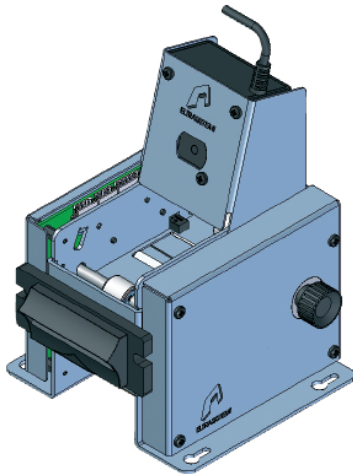


# VALIDATOR BARCODE KARATA

"NA UVLAČENJE" SA MOTOROM (53x86mm)  
ABTR-EL0000



## MAIN FEATURES

- Stepping motor and photosensors ticket positioning
- Easy BAR CODE scanner module replacement
- In line or transverse BAR CODE detection options
- Universal code symbologies process capability
- Contactless Card management based on Mifare® standard ISO/IEC-14443A&B + ISO-15693
- Microprocessor based electronics
- SMD low consumption electronic circuits
- Communication by means of RS232/RS485 serial interface

## TECHNICAL SPECIFICATIONS

### OVERALL DESCRIPTION

- Outline dimensions:** 140(H) x 115(L) x 124(W) mm
- Weight:** 1 Kg (Approximately)
- Electronics:** Specific PCB
- Ticket motion:** Stepping motor
- Transport method:** Rolls
- Ticket Sensors:** Photosensors
- Output interface:** RS232 / RS485
- Power requirements:** +24V DC +/-10% 10A

### ENVIRONMENTAL

- Operating temperature:** From 0 to +50°C
- Storage temperature:** From -20 to +60°C
- Relative humidity:** From 20 to 80%  
(No condensation)

### TICKET SPECIFICATIONS

- Paper:** Thermal paper
- Length:** 85.60 mm
- Width:** 53.98 mm
- Thickness:** From 0.15 to 1 mm